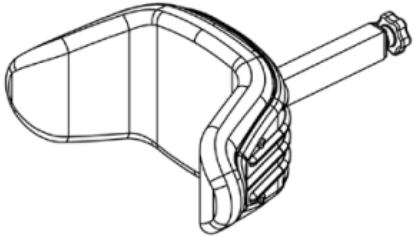
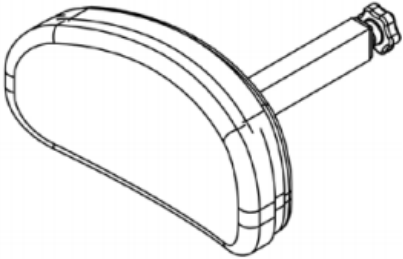
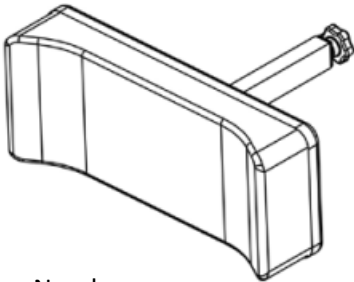
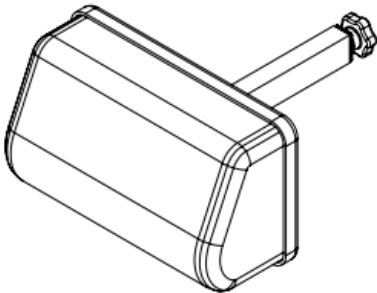
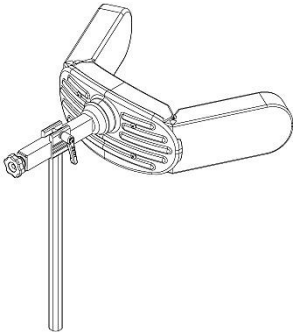
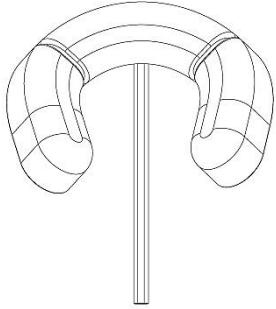
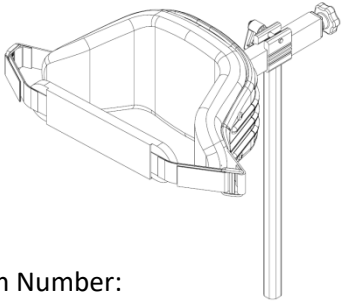


Head support range

Type A	Type B	Type C
 <p>Item Number: 40880 / 3D cover 28382 / Easy Care cover</p>	 <p>Item Number: 40881 / 3D cover 28383 / Easy Care cover</p>	 <p>Item Number: 40882 / 3D cover 28384 / Easy Care cover</p>

Type D	Type E	Type F
 <p>Item Number: 81024 / 3D cover 82986 / Easy Care cover</p>	 <p>Item Number: 84850 / 3D cover 85240 / Easy Care cover 88860 / 3D Bezug kurze rechte Seitenführung 88866 / 3D Bezug kurze linke Seitenführung 88863 / Easy Care Bezug kurze rechte Seitenführung 88869 / Easy Care Bezug kurze linke Seitenführung</p>	 <p>Item Number: 84570 / 3D cover 85258 / Easy Care cover</p>

Type A with forehead strap



Item Number:
82566 / 3D cover
44970 / Easy Care cover

Each head support comes with a vertical bar of 350 mm length and a horizontal tube with 150 mm length as standard.

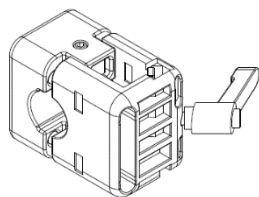
A 500 mm vertical bar is available for all kind of head support.

250 mm or 380 mm horizontal tubes are available as an option for head support A-D.

Common adjustment possibilities

Height adjustment:

Each head support can be fitted to each Netti wheelchair by using the head support adapter 23005.

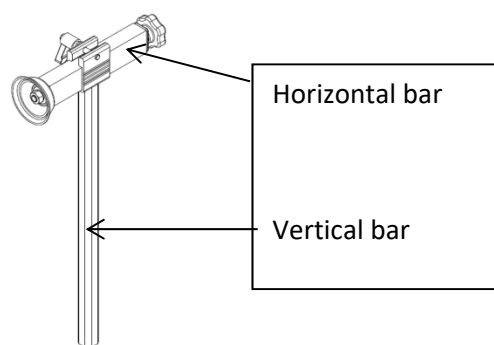
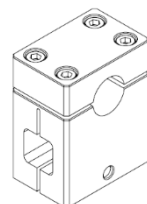


Head support adapter 23005

To adjust the head support in height you need to lose the red latch lever by turning the lever anti-clockwise until you can move the vertical bar up- or downwards.

Adjust the vertical bar according to your need and turn the red lever clock wise to fasten the bar again.

A solid version of the head support adapter made of Aluminium is available. With this you can fix the height with a bolt to avoid unwanted changes in position.

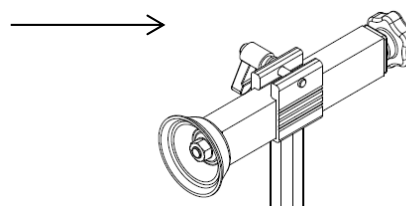


Depth adjustment:

To adjust the head support in depth, lose the red latch lever of the horizontal tube.

Lose the red latch lever by turning the lever anti-clockwise until you can move the horizontal tube front- or backwards.

Adjust the horizontal tube according to your need and turn the red lever clock wise to fasten the head support again.

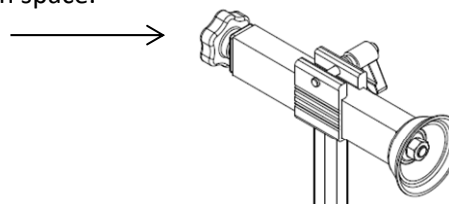


3D-free in space adjustment:

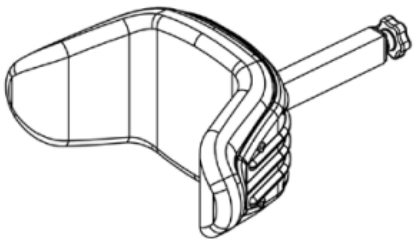
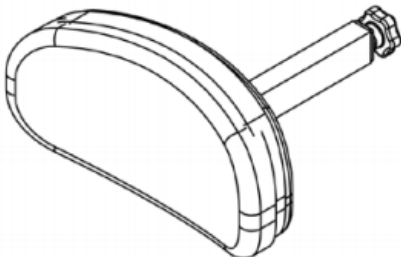
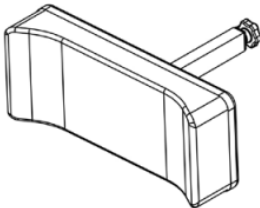
As an additional adjustment you can move the head support free in space.

Lose the red star wheel by turning the lever anti-clockwise until you can move the head support upholstery free in space.

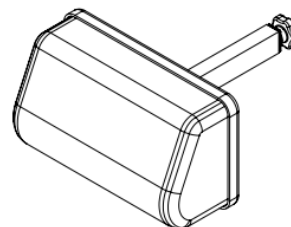
Adjust the head support according to your need and turn the star wheel clock wise to fasten the tube again.



Description of properties and use

<p>Head support Type A with side support</p>	
<p>Head support Type A has a middle part with soft upholstery and 2 fixed padded side supports The shape of Type A offers a secured and soft head lying position. The 2 lateral side supports provide additional lateral support and ensure to keep the head in a required position by help of the 3D adjustment. For users with limited head control and stability. It can be used if a user's head is tending to fall side wards or simply to offer a stable head position.</p>	
<p>Head support Type B small, oval</p>	
<p>Head support Type B is a small head support with a padded head cushion and is to use for user with a good head stability and control. It can be used for active user when the tilt function of a wheelchair is used or as simple solution while transporting the user in a car.</p>	
<p>Head support Type C large, square</p>	
<p>Head support Type C is a large padded head cushion and offers a wide contact surface. It has left and right a small wedge shape to avoid sliding the head outwards the padded area and allows the user to see the surrounding. Head support C can be equipped with a comfort cushion (Item number 3952) or head pillow (Item number 3950). It can be used for user with a higher need of contact surface, need of enlarged moving space and need of less side support.</p>	

Head support Type D comfort (pressure distributive)



Head (Neck) support Type D has an ergonomic shape which follows the natural curvature of the neck. It consists of a specific soft foam padding with pressure distributing properties.

It can be used for users with a higher need of soft contact surface and less side support and can be used like Type B when transporting a user in a car. For users which have a need of getting support in cervical area C2 up to head.

Head support Type E with adjustable side supports



Head support Type E has a middle part with soft upholstery and 2 large flexible padded side supports. There are 3 different models. One with 2 long flexible side supports of 17 cm and a model with a short right side support (11,5 cm) and one with a short left side support.

They all come with an Allen key to enable the attendants to adjust the side supports according to the user's need.

Head support Type E is meant for users having an increased need of additional soft side support or a more side-wards head position which needs to be controlled. Users with head deformities or contracted cervical muscle will benefit from this type of head support.

To adjust the side support, lose the screws with the Allen key and fit the head support according to the user's need. Then tighten the screws again.

Please check from time to time if the screws are fastening enough.

Head support Type F with cheek/chin support



Head support Type F is a combination of a head- and cheek/chin support with 2 adjustable padded supports. It comes with an Allen key to enable the attendants to adjust the pads according to the user's need.

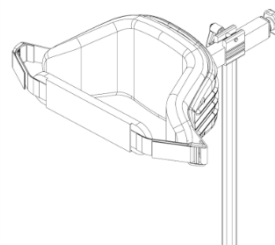
Type F is meant for user situations where the head is tending to fall down/frontwards. It helps to keep the head in a straight upright position.

To adjust the support pads lose the screws with the Allen key and fit the head support according to the user need. Then tighten the screws again.

It is important to check the localisation of the chin pads. They shouldn't be adjusted too tight to the chin/neck area to avoid high pressure.

Please check from time to time if the screws are fastening enough.

Head support Type A with forehead strap



Head support Type A with forehead strap is an excellent product for low tone individuals with poor head balance, individuals exhibiting forward flexion patterns or individuals who require an upright head position for e.g. better respiration.

On our Website you will find additional information:

<http://www.my-netti.com/products/accessories/head-support>

Feel free to contact us if you have further questions.